

Type: PF8, PF8-S, PF11 & PF11-S

8 & 11-pin Sockets

- 35mm DIN Rail or Surface Mounting
- Self Rising Washers
- Screwdriver release clip
- 2 x 2.5mm cable acceptance
- Compact size
- Shrouded terminals (to IP20) on "-S" types
- Dual terminal numbering to IEC 67 & DIN 46 199



Dims:
H. 30mm
W. 43mm
D. 51mm

INSTALLATION NOTE



Installation work must be carried out by qualified personnel.

- BEFORE INSTALLATION, ISOLATE THE SUPPLY.

TECHNICAL SPECIFICATION

Voltage rating: 380V AC
Current rating: 10A
Dielectric strength: > 2kV

Ambient temp: -45 to +60°C

Material: Black Self extinguishing glass filled PPO. UL94 V1
Weight: ≈ 34g (PF8)
≈ 37g (PF8-S)
≈ 48g (PF11)
≈ 52g (PF11-S)

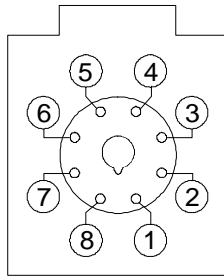
Mounting option: 1. On to 35mm symmetric DIN rail to BS5584:1978 (EN50 002, DIN 46277-3)
2. Surface mounting using the two fixing holes provided. Fixing centres are 34.6mm, Ø 4.2mm

Approvals: UL, CUL, CE Compliant.

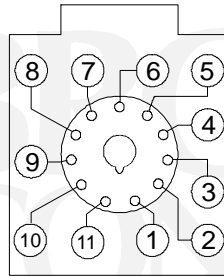
Accessories

RCP82 – Retaining Clip to suit 8-pin sockets.
RCP13 – Retaining Clip to suit 11-pin sockets.

PINNING DETAILS

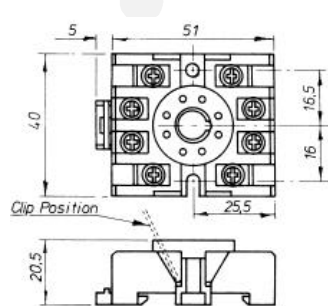


PF8 / PF8-S

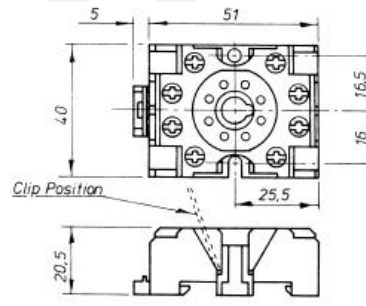


PF11 / PF11-S

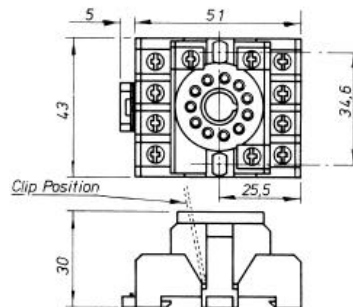
DIMENSIONS



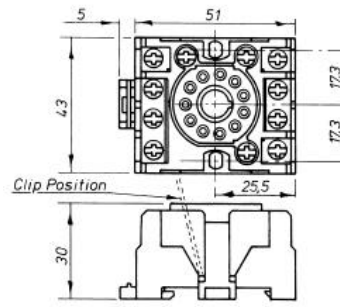
PF8



PF8-S



PF11



PF11-S