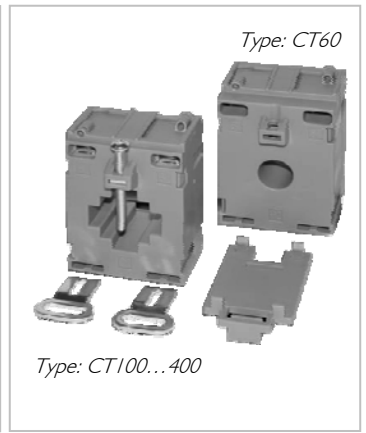
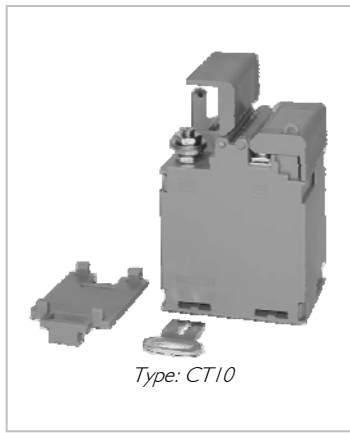


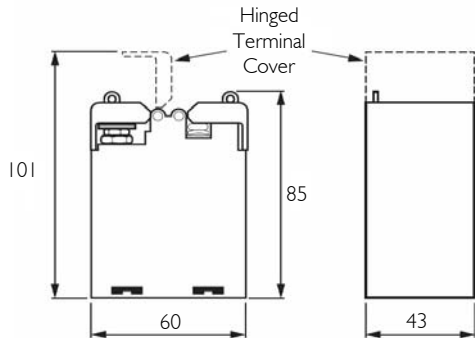
Type: CT

Current Transformers

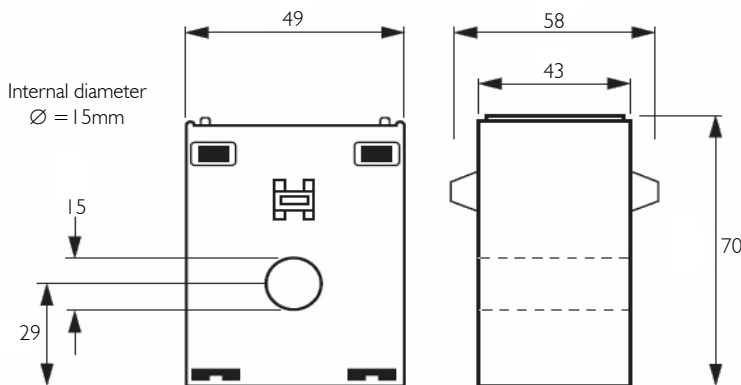
- ❑ Designed for use with ALL Broyce Current Relays
- ❑ 5A secondary
- ❑ Moulded Case
- ❑ Small "outside" dimensions
- ❑ "Class 1" accuracy
- ❑ Conforms to IEC and BS standards
- ❑ DIN rail clip supplied



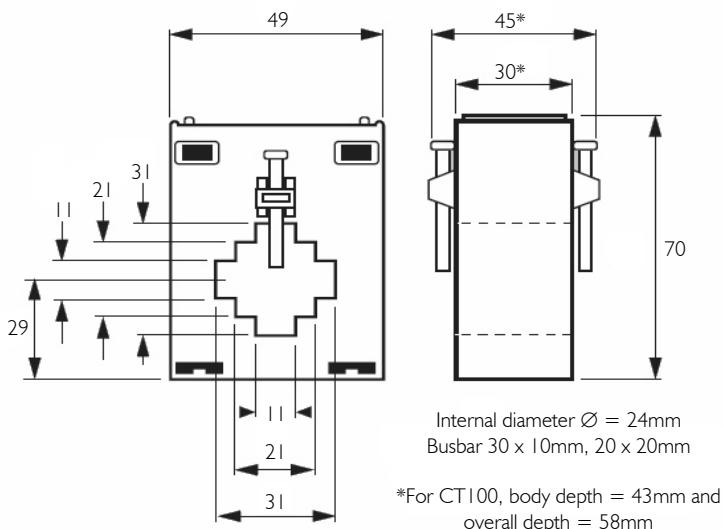
• DIMENSIONS (CT10)



• DIMENSIONS (CT60)



• DIMENSIONS (CT100...CT400)



• TECHNICAL SPECIFICATION

Type availability:

Part #	Pri. rating	Sec. rating*	Ratio
CT10	10A	5A	2:1
CT60	60A	5A	12:1
CT100	100A	5A	20:1
CT200	200A	5A	40:1
CT400	400A	5A	80:1

* Max. burden = 2.5VA

Continuous rating: 1.2 x rated current

Rated system voltage: 0.72/3kV

Ambient operating

temperature: -30 to +85°C

Enclosure (to IP54): Self extinguishing to UL94 VO

Approvals:

Conforms to IEC 60044-1, IEC185,
BSEN 60044-1 and BS7626
CE Compliant

Dimensions for all drawings in mm.

